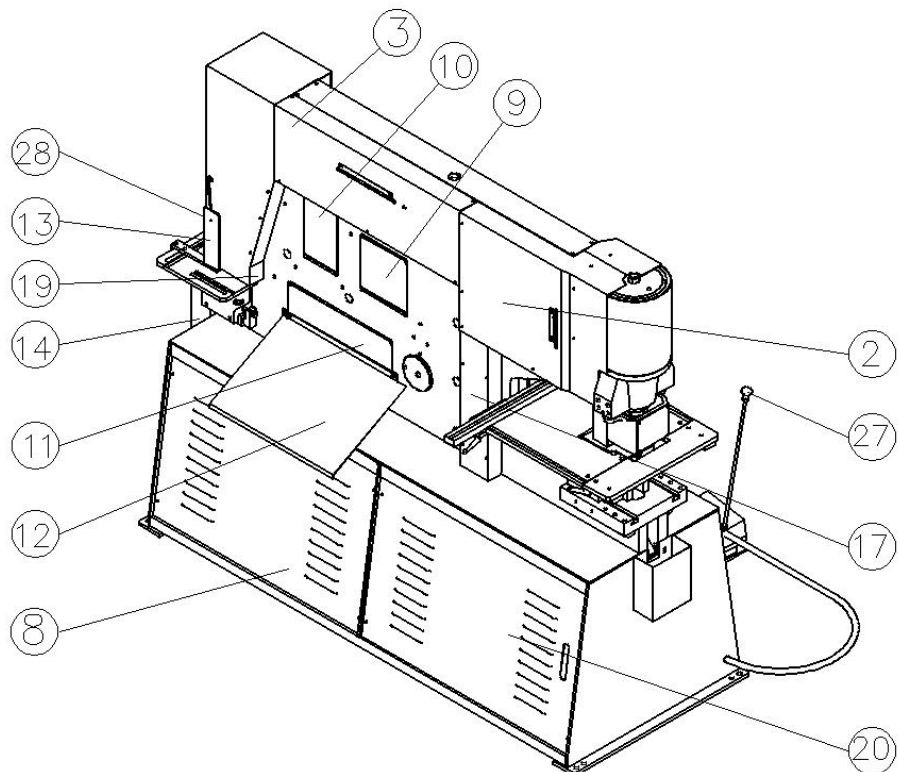
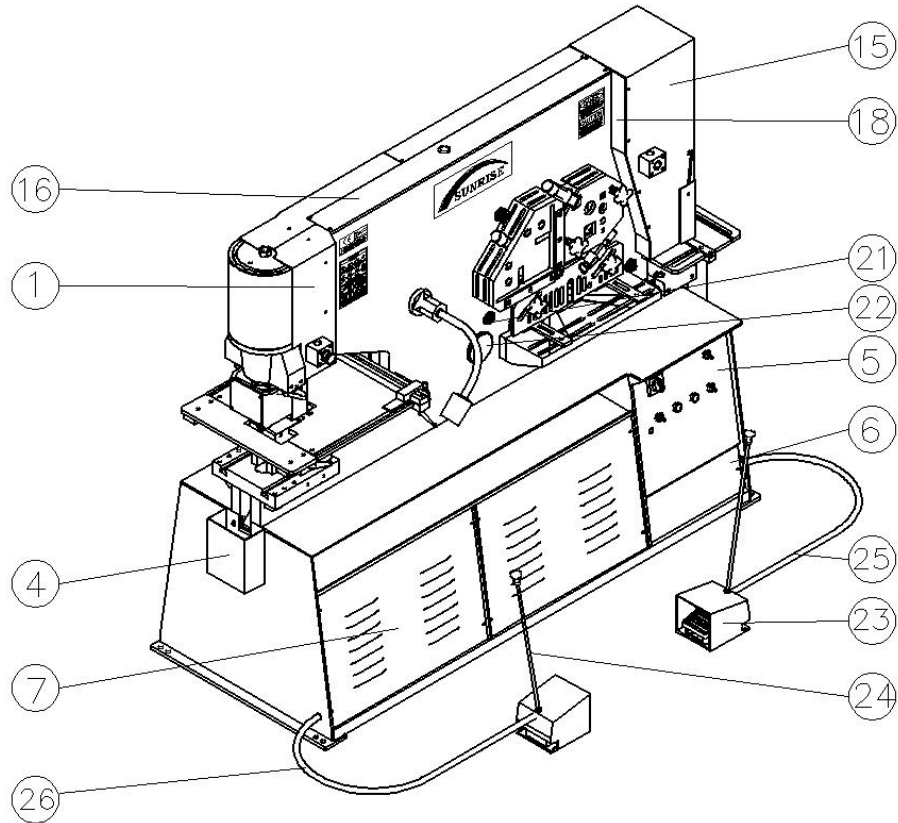


IW - 125S/SD



IW-S/SD-A.dwg 12/2013



SUNRISE Fluid Power Inc.

No. 7, Road 12, Industrial Zone, Taichung City 407, Taiwan

Tel: 886-4-2359-1190

Fax: 886-4-2359-3409

sales@sunriseiw.com.tw

www.sunriseiw.com.tw

Sunrise Ironworker Parts List

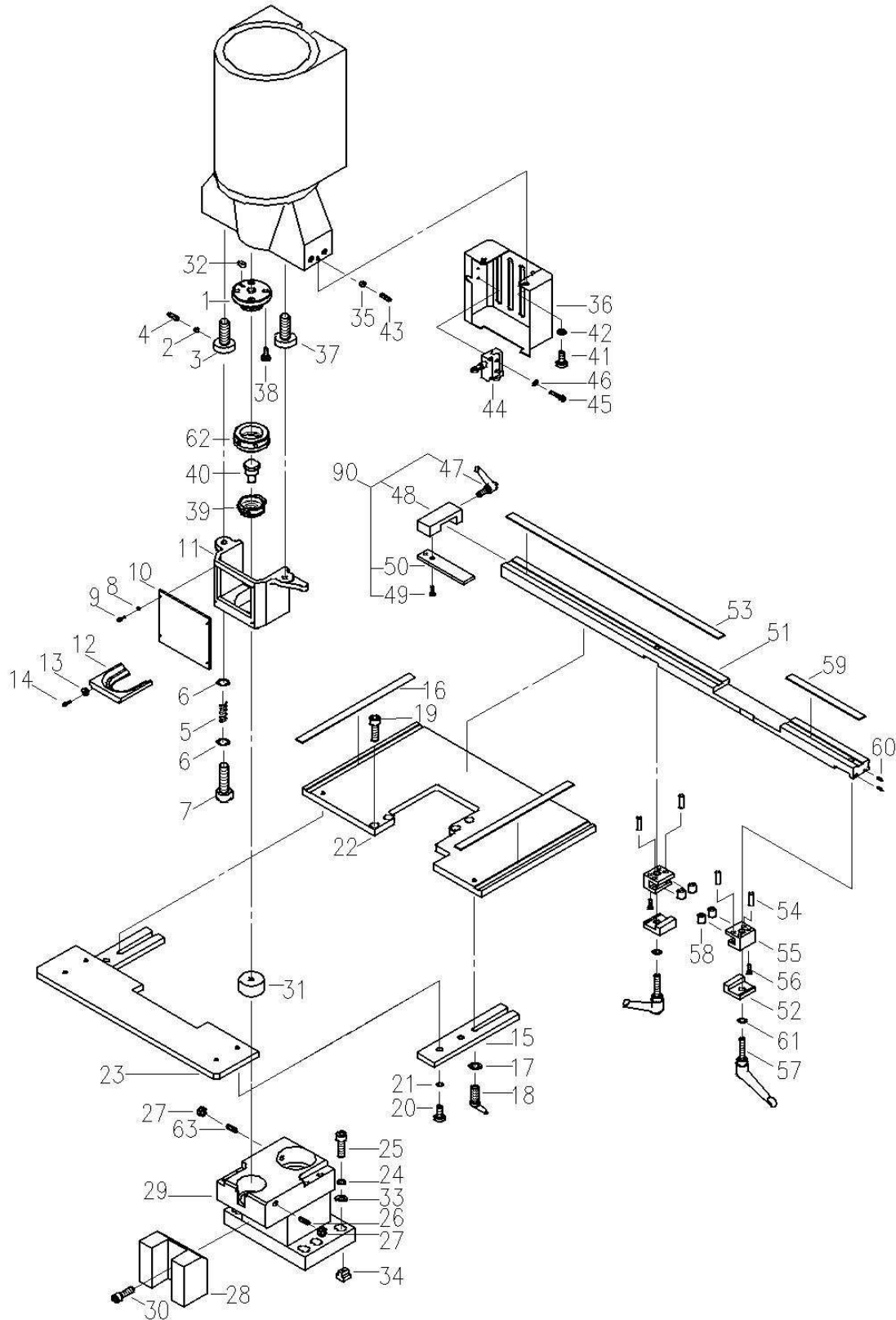
Model: IW-125S/ SD

Part: Cover Plates

Date: 02/2012

Item	Part Number	Description	產品名稱	Q'ty	Memo
1	213602002E	Punching Cylinder Cover A	沖孔油壓缸護蓋 A	1	
2	125S: 213602042 125SD: 213702009A	Punching Cylinder Cover B	沖孔油壓缸護蓋 B	1	
3	125S: 213602005B 125SD: 213702003A	Shearing Limit Switch Cover	剪切限動調整護蓋	1	
4	211302021A	Scrap Box For Punching	沖孔鐵屑盒	1	
5	213602902A	213602023E 213602024A 212602019B 52414APL93902	Electrical Box	1	
6	213602019	Front Base Cover	電氣箱底座護蓋	1	
7	125S: 213602020 125SD: 213702004	Front Base Cover	底座前蓋	1 2	
8	125S: 213602021 125SD: 213702005	Rear Base Cover A	底座後蓋 A	1	
9	213602011A	Safety Guard for Angle Shear	剪角鐵護板	1	
10	213602013A	Safety Guard for Bar Shear	剪圓方護板	1	
11	213602012A	Safety Guard for Flat Shear	剪平板護板	1	
12	213602014B	Flat Bar Shear Back Plate	滑料片	1	
13	213602033B	Safety Guard For Notching	剪角安全護板	1	
14	211302022	Scrap Box For Notching	剪角鐵屑盒	1	
15	213602032B	Notching Cylinder Cover	剪角油壓缸護蓋	1	
16	125S: 213602001B 125SD: 213702001B	Top Cover	上護蓋	1	
17	213602034	Hose Cover	配管套蓋(電動定位尺)	1	
18	213602006	Notching Side Cover A (Front)	護蓋固定板 A (前)	1	
19	213602007	Notching Side Cover B (Rear)	護蓋固定板 B (後)	1	
20	125S: 213602022 125SD: 213702006	Rear Base Cover B	底座後蓋 B	1	
21	213810007 211310008B	Adjust Pushing Screw Adjust Pushing Nut	壓塊固定螺絲 壓塊固定螺帽	5	
22	213610001C	Main Pivot Pin	支持點心軸	1	
23	52413YC135D	Foot Switch YC-135D(CE)	腳踏開關	2	
24	213210008	Foot Switch Handle	腳踏開關提桿	2	
25	125S: 56320G0061400A 125SD: 56320G0061600A	Foot Switch Cable 3/8"X1400mm Foot Switch Cable 3/8"X1600mm	電線保護管 1400mm 電線保護管 1600mm	1	
26	56320G0061300A	Foot Switch Cable 3/8"X1300mm	電線保護管 1300mm	1	
27	56314118036M10	Waist Shaped Knobs 1180-36-M10	凹槽式旋鈕	2	
28	213402034	Notching Clear Cover	剪角壓克力護板	1	

Punching Station Assembly for Double Cylinder Models





SUNRISE Fluid Power Inc.

No. 7, Road 12, Industrial Zone, Taichung City 407, Taiwan

Tel: 886-4-2359-1190

Fax: 886-4-2359-3409

sales@sunriseiw.com.tw

www.sunriseiw.com.tw

Sunrise Ironworker Parts List

Model: IW-100S/SD, 125S/SD,165SD Part: Punching Station Date: 02/2012

Item	Part Number	Description	產品名稱	Q'ty	Memo
1	42RTBQA	Retaining Thread	螺紋塊	1	
2	211305090	212211009	Copper Piece	銅墊	1
3		211305005B	Stripper Adj. Screw (2)	剝料器調整螺桿(二)	1
4		56301C0006010	Set Screw M6X10	止付內六角螺栓	1
5		211305006	Stripper Spring	沖孔剝料器彈簧	1
6		56303D00012024045	Flat Washer M12	平墊圈	2
7		56301A0012090	Hex Bolt M12X90	六角承窩頭螺栓	1
8	42STBD	56303A00005	Spring Washer M5	彈簧墊圈	4
9		56301A0005012	Hex Bolt M5X12	六角承窩頭螺栓	4
10		42STBC002	Stripper Clear Cover	剝料器安全護板	1
11		42STBC006A	Stripper	沖孔剝料器	1
12		42STBC003A-20 42STBC003A-42 42STBC003A-52	Stripper Exchangeable Plate	剝料器底板	1
13		42STBC004	Washer	墊片	2
14		56301I0005008	Cap Screw M5X8	半圓內六孔	2
15		212205005C	Table Connecting Plate	工作板組合塊	2
16	S: 213005006A SD: 213105002A	Punching Table Ruler 306mm Punching Table Ruler 506mm	沖孔工作板Y軸標尺	2	
17	56303B11012025	Flat Washer M10	平墊圈	2	
18	S: 213405110 SD: 213505110	56315404192M1032	Clamp Handle M10X32	萬向把手	2
19		56301A0010020	Hex Bolt M10X20	六角承窩頭螺栓	4
20		56301A0010030	Hex Bolt M10X30	六角承窩頭螺栓	4
21		56303A00010	Spring Washer M10	彈簧墊圈	4
22		S: 213005001C SD: 213105001D	Punching Table A (Main)	沖孔工作板(A)	1
23		213405001A	Punching Table B (Front)	沖孔工作板(B)	1
24		56303A00016	Spring Washer M16	彈簧墊圈	6
25	56301A0016060	Hex Bolt M16X60	六角承窩頭螺栓	6	
26	56301C7010060	Set Screw M10X60	止付內六角螺栓	1	
27	56302B0110	Nut M10	螺帽	2	
28	43B3DMWC	43B1D005A	Die Holder Support	下模座支持塊	1
29		43B3DMW900D	Overhang Die Holder (Ø45/Ø80)	雙孔沖孔座	1
30		56301A0012020	Hex Bolt M12X20	六角承窩頭螺栓	1



SUNRISE Fluid Power Inc.

No. 7, Road 12, Industrial Zone, Taichung City 407, Taiwan

Tel: 886-4-2359-1190

Fax: 886-4-2359-3409

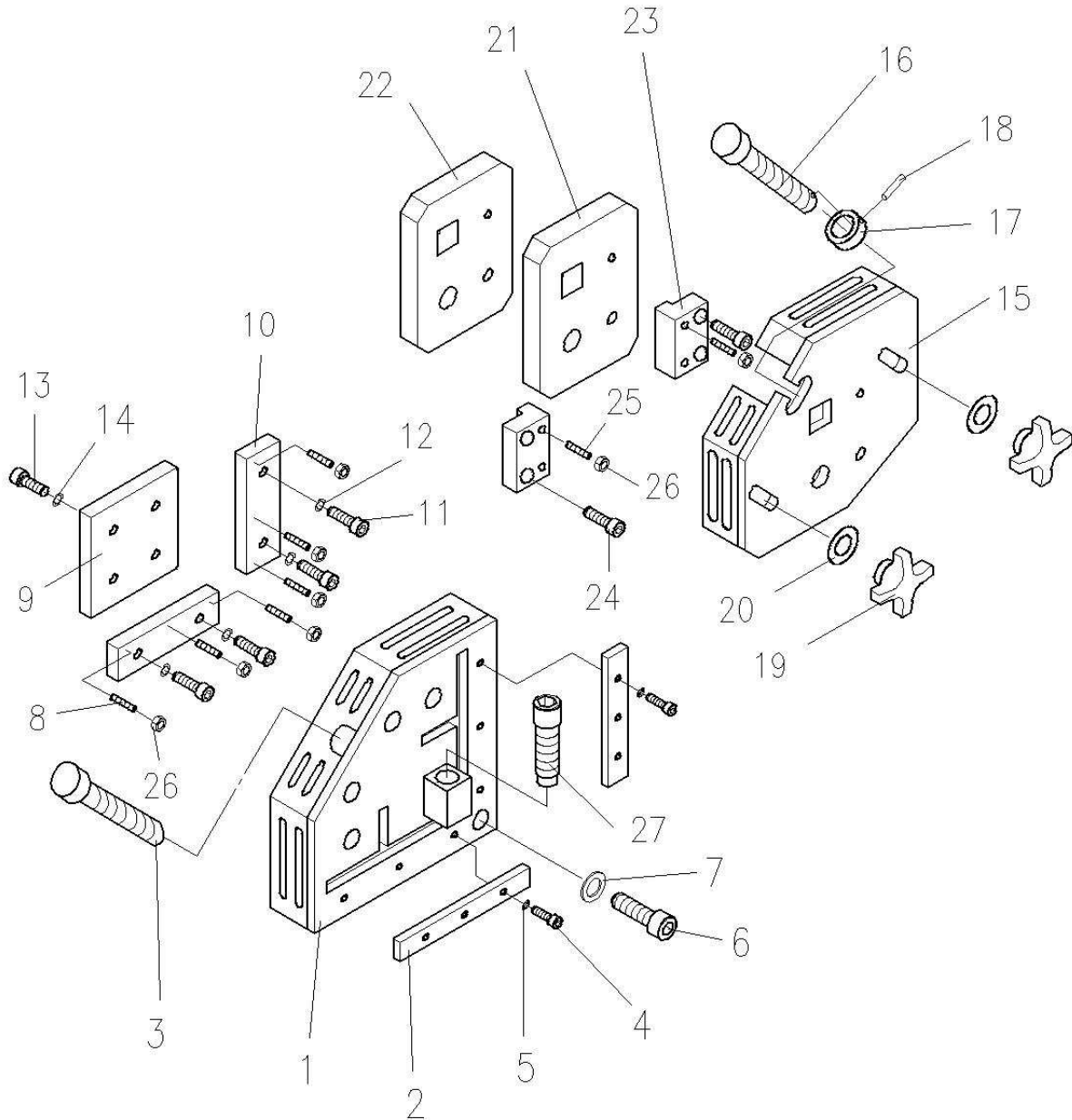
sales@sunriseiw.com.tw

www.sunriseiw.com.tw

Model: IW-100S/SD, 125S/SD, 165SD Part: Punching Station Date: 02/2012

Item	Part Number	Description	產品名稱	Q'ty	Memo	
31	41RD1	Die	圓孔下模	1		
32	56305D00606018	Locating Key	雙頭圓鍵	1		
33	56303D00016032045	Flat Washer M16	平墊圈	6		
34	213405005	T-Shaped Nut M16	T形螺帽	6		
35	213205010	Copper Piece	銅墊	2		
36	213202034	Stripper Rear Guard	剝料器護板	1		
37	211305004B	Stripper Adj. Screw (1)	剝料器調整螺桿(一)	1		
38	56301A0012025	Hex Bolt M12X25	六角承窩頭螺栓	4		
39	42RSBQ30A 42RSBQM40B 42RSBQM50B	Quick Change Sleeve	快拆上模套環	1		
40	41RP1	Punch	圓孔上模	1		
41	56301A0006010	Hex Bolt M6X10	六角承窩頭螺栓	2		
42	56303A00006	Spring Washer M6	彈簧墊圈	2		
43	56301C0010020	Set Screw M10X20	止付內六角螺栓	2		
44	52411TZ7312	Limit Switch	微動開關	1		
45	56301A0004025	Hex Bolt M4X25	六角承窩頭螺栓	2		
46	56303B10005010	Flat Washer M4	平墊圈	2		
47	213005141	56315404163M1020	Clamp Handle M10X20	萬向把手	1	
48		213205004	Stopper Piece	X軸定位板	1	
49		56301F0006016	Sunk Head Hex Bolt M6X16	皿頭六角承窩螺栓	2	
50		212205007S1	Stopper Piece	沖孔定位塊	1	
51		213205018B	Punching Stopper Guide	Y軸定位板	1	
52		213205020	Stopper Guide Base	定位板固定滑塊	2	
53		213005015	Punching Stopper Guide Ruler 602.5mm	Y軸定位尺標尺(左)	1	
54		56306R0080030	Pin Ø8X30	直銷 Ø8X30	4	
55		213205019	Stopper Y-axis Guide	Y軸定位滑座	2	
56		56301A4006030	Hex Bolt M6X30	六角承窩頭螺栓	4	
57		56315404192M1050	Clamp Handle M10X50	萬向把手	2	
58		56309DTA815	Needle Bearing TA815	滾針軸承 TA815	4	
59		213005014	Punching Stopper Guide Ruler 207.5mm	Y軸定位尺標尺(右)	1	
60		56301C0005008	Set Screw M5X8	止付內六角螺栓	2	
61		56303B11012025	Flat Washer M10	平墊圈	2	

Angle and Bar Shear Station for Double Cylinder Models



PART3807.dwg 04/2011



SUNRISE Fluid Power Inc.

No. 7, Road 12, Industrial Zone, Taichung City 407, Taiwan

Tel: 886-4-2359-1190

Fax: 886-4-2359-3409

sales@sunriseiw.com.tw

www.sunriseiw.com.tw

Sunrise Ironworker Parts List

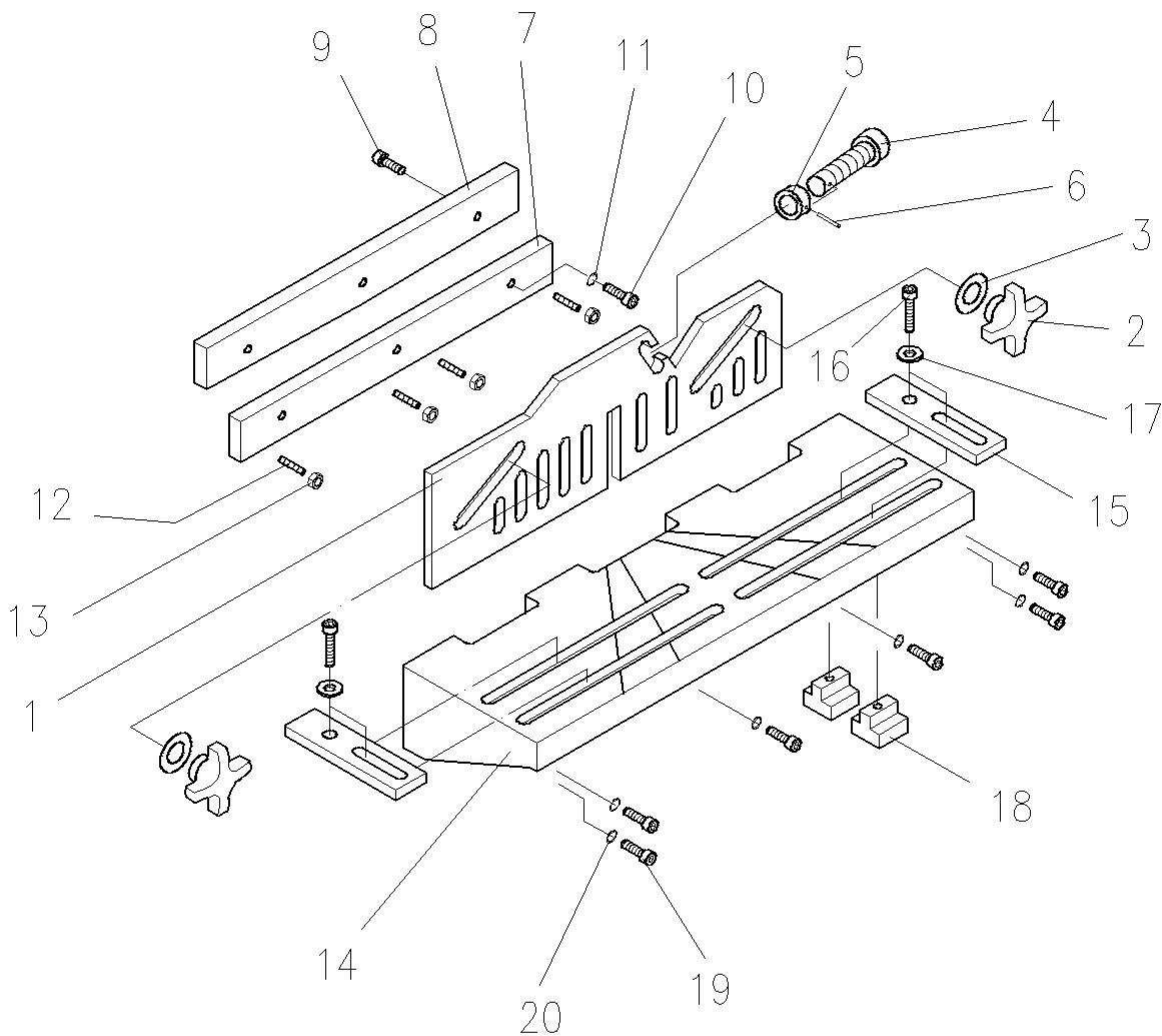
Model: IW-125S/SD

Part: Angle and Bar Shear Stations

Date: 02/2012

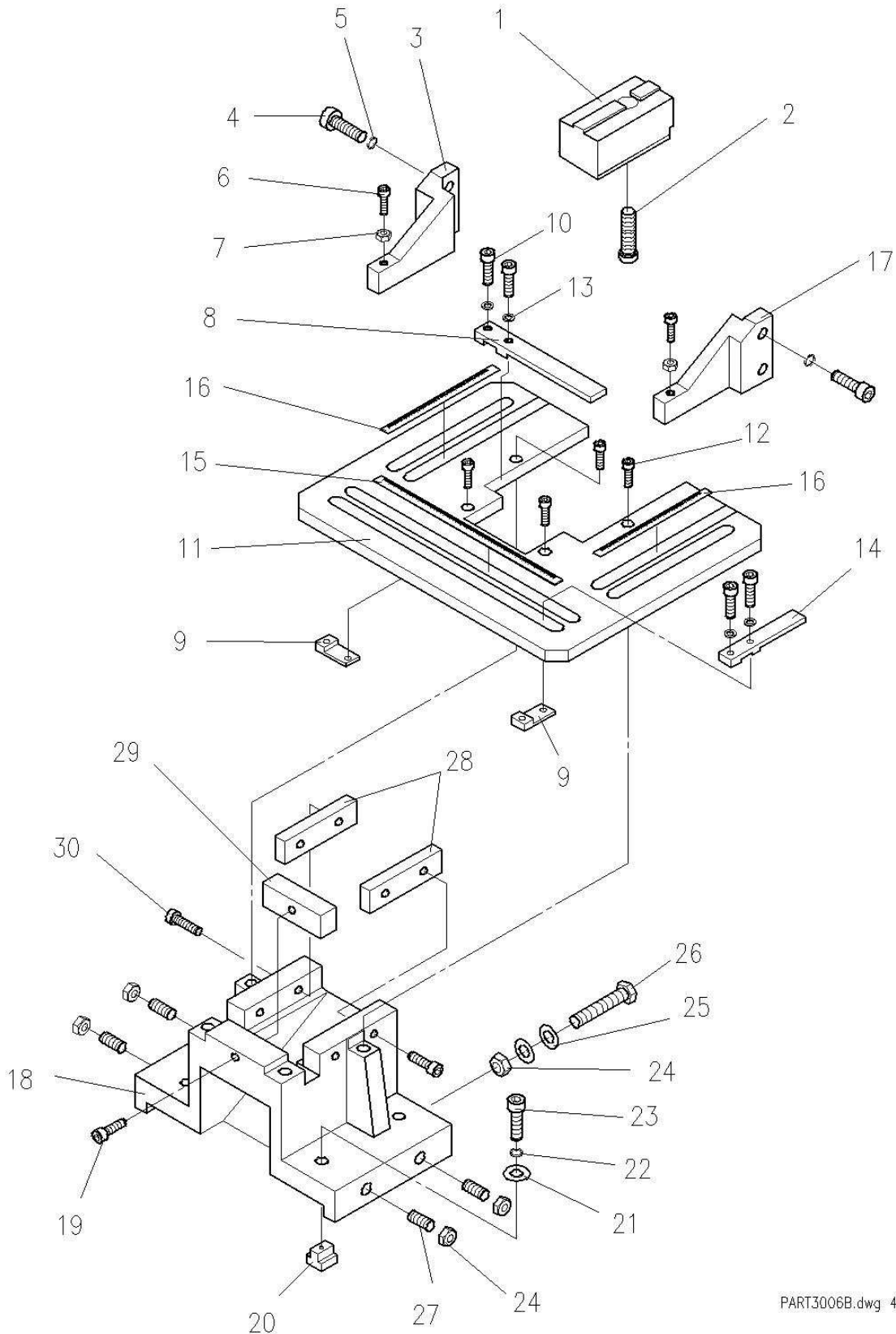
Item	Part Number	Description	產品名稱	Q'ty	Memo
1	213607900A	213607001B	Angle Shear Holddown	角鐵剪切座	1
		213007004			
		213602030			
		213602031			
		213207005A			
2	212407004A	Angle Holddown Adjusting Plate	L型鐵座調整塊	2	
3	212410008	Angle Holddown Screw	L型鐵座調整螺桿	1	
4	56301A0010025	Hex Bolt M10X25	六角承窩頭螺栓	6	
5	56303A00010	Spring Washer M10	彈簧墊圈	6	
6	56301A0020030	Hex Bolt M20X30	六角承窩頭螺栓	5	
7	56303B00020037040	Flat Washer M20	平墊圈	5	
8	56301C8010045	Set Screw M10X45	止付內六角螺絲	6	
9	213207004C	Angle Shear Moving Blade	角鐵剪切刀具(活動)	1	
10	213207001B	Angle Shear Stationary blade	角鐵剪切刀具(固定)	2	
11	56301A0016055	Hex Bolt M16X55	六角承窩頭螺栓	4	
12	56303A00016	Spring Washer M16	彈簧墊圈	4	
13	56301A0016060	Hex Bolt M16X60	六角承窩頭螺栓	3	
14	56303A00016	Spring Washer M16	彈簧墊圈	3	
15	213609900	213609003	Rd/Sq Shear Holddown	圓方壓板	1
		213602016			
		213602017			
		213602018			
16	212210900	212210006	Shear Holddown Screw	平板,圓方壓塊移動螺桿	1
17		211310011	Holddown Screw End Piece	調整螺桿拉塊	1
18		56306S0060030	Spring Pin Ø6X30	彈簧銷	1
19	56314DIN633576	Fix Nut for Holddown	十字旋鈕(不銹鋼)	2	
20	56303B11020040	Flat Washer M16	平墊圈	2	
21	213609001	Rd/Sq Shear Stationary Blade	圓方刀具(固定)	1	
22	213609002	Rd/Sq Shear Moving Blade	圓方刀具(活動)	1	
23	211309004	Rd/Sq Shear Blade Fix Plate	圓方刀具固定塊	2	
24	56301A0012020	Hex Bolt M12X20	六角承窩頭螺栓	4	
25	56301C8010055	Set Screw M10X55	止付內六角螺絲	4	
26	56302B0110	Nut M10	螺帽	10	
27	213207006A	Angle Holddown Screw	L型鐵座調整螺桿	1	

Flat Shear Station for IW-60H & IW-S/SD



PART3008A.dwg 04/2010

Notching Station Assembly for Double Cylinder Models



PART3006B.dwg 4/2010



SUNRISE Fluid Power Inc.

No. 7, Road 12, Industrial Zone, Taichung City 407, Taiwan

Tel: 886-4-2359-1190

Fax: 886-4-2359-3409

sales@sunriseiw.com.tw

www.sunriseiw.com.tw

Sunrise Ironworker Parts List

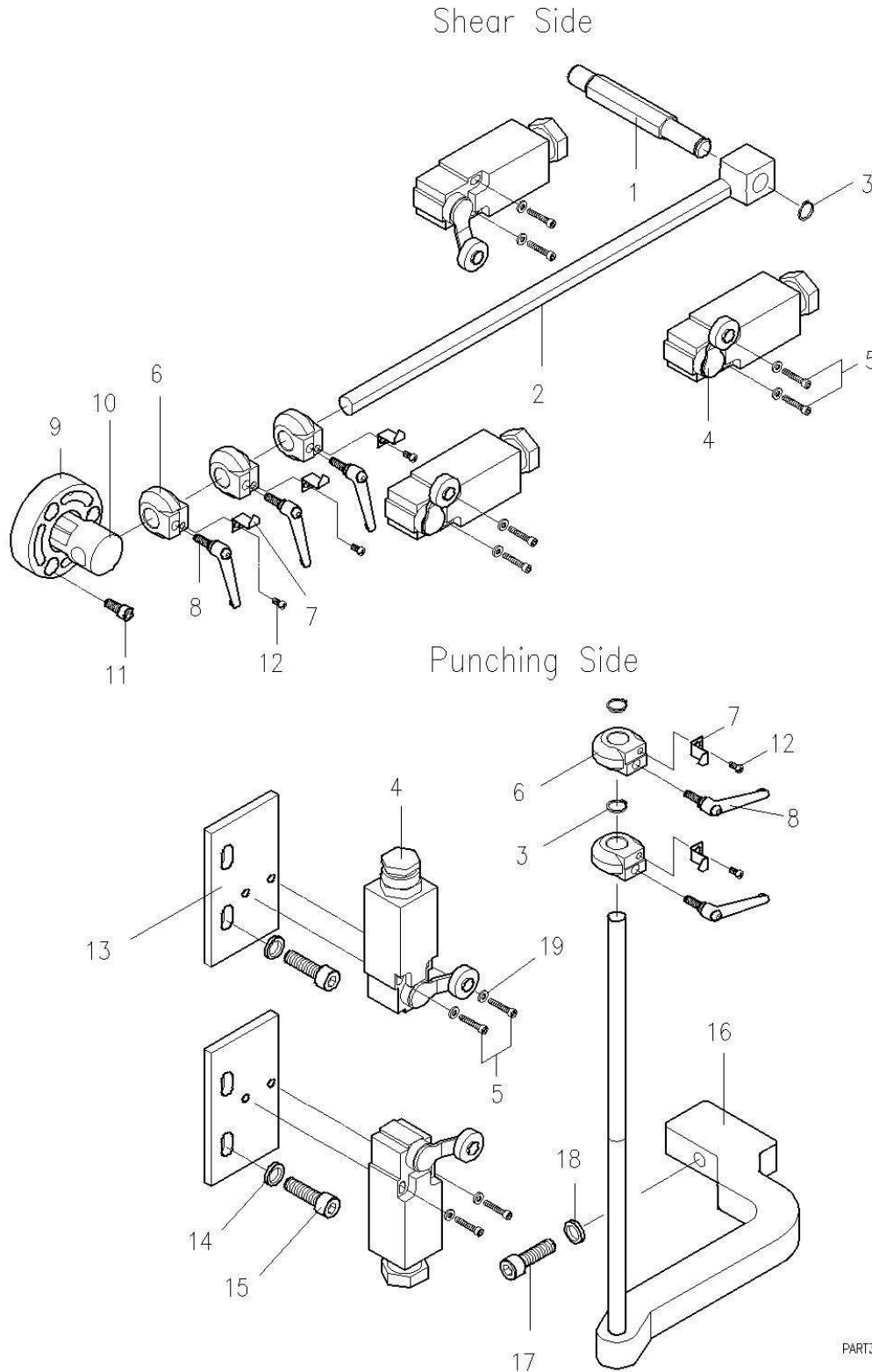
Model: IW-100S/SD,125S/SD

Part: Notching Station

Date: 02/2012

Item	Part Number	Description	產品名稱	Q'ty	Memo	
1	213406001B	Notcher Top Blade	方形剪角上刀	1		
2	56301A0018050	Hex Bolt M18X50	六角承窩頭螺栓	1		
3	211306004A	Notching Stripper (left)	剪角剝料器(左)	1		
4	56301A0012035	Hex Bolt M12X35	六角承窩頭螺栓	4		
5	56303A00012	Spring Washer M12	彈簧墊圈	4		
6	56301A0008050	Hex Bolt M8X50	六角承窩頭螺栓	2		
7	56302B0108	Nut M8	六角螺帽	2		
8	213406100	213206003A	Stopper Plate (long)	1		
9		211605009A	Clamping Plate	2		
10		56301A0010040	Hex Bolt M10X40	六角承窩頭螺栓	4	
11		213406003A	Notching Table	剪角工作板	1	
12		56301A0008016	Hex Bolt M8X16	六角承窩頭螺栓	4	
13		56303A00010	Spring Washer M10	彈簧墊圈	4	
14		211606004B	Stopper Plate (Short)	工作板定位塊	1	
15		213206005B	Notching Table Ruler	剪角X軸標尺	1	
16		213206006A	Notching Stopper Guide Ruler	剪角Y軸標尺	2	
17	211306005A	Notching Stripper (right)	剪角剝料器(右)	1		
18	212406004C	Notching Bolster	剪角下模座	1		
19	56301A0010035	Hex Bolt M10X35	六角承窩頭螺栓	1		
20	211305012	T-Shaped Nut M12	T形螺帽	4		
21	56303D00012024045	Flat Washer M12	平墊圈	4		
22	56303A00012	Spring Washer M12	彈簧墊圈	4		
23	56301A0012050	Hex Bolt M12X50	六角承窩頭螺栓	4		
24	56302B0112	Nut M12	六角螺帽	6		
25	56303D00012024045	Flat Washer M12	平墊圈	4		
26	56301E0012060	Hex Bolt M12X60	外六角頭螺栓	2		
27	56301C8012035	Set Screw M12X35	止付內六角螺栓	4		
28	211306002F	Notcher Side Blade	方形剪角側刀	2		
29	212406002B	Notcher Front Blade	方形剪角前刀	1		
30	56301A0010020	Hex Bolt M10X20	六角承窩頭螺栓	4		

Stroke Adjustment for Double Cylinder Models



PART3004B.DWG 05/2010

